



Value Tech. VTM165 Telescopic Mixveyor

TRUCK MOUNTED CONVEYORS FOR
LOW COST PLACEMENT OF CONCRETE

MODEL NO: V.T.M. 165



- DELIVERS 300° AROUND TRUCK MIXER.
- 16.5m OUTREACH FROM REAR OF TRUCK.
- 4m TELESCOPIC MOVEMENT ENHANCES USER FRIENDLY OPERATION.
- SINGLE LONGITUDINAL BEAM DESIGN ALLOWS EASY ACCESS FOR CLEANING AND MAINTENANCE.
- MANUFACTURED FROM TOP QUALITY STEEL, GIVING OPTIMUM STRENGTH TO WEIGHT RATIO.
- INNOVATIVE ELECTRO-HYDRAULIC CIRCUITRY PROTECTS MACHINE FROM DAMAGE AND INCREASES OPERATOR SAFETY.
- STANDARD 2 SPEED OPERATION OF ALL FUNCTIONS.
- TELESCOPIC STABILISERS WITH UP TO 4m BASE AS STANDARD.

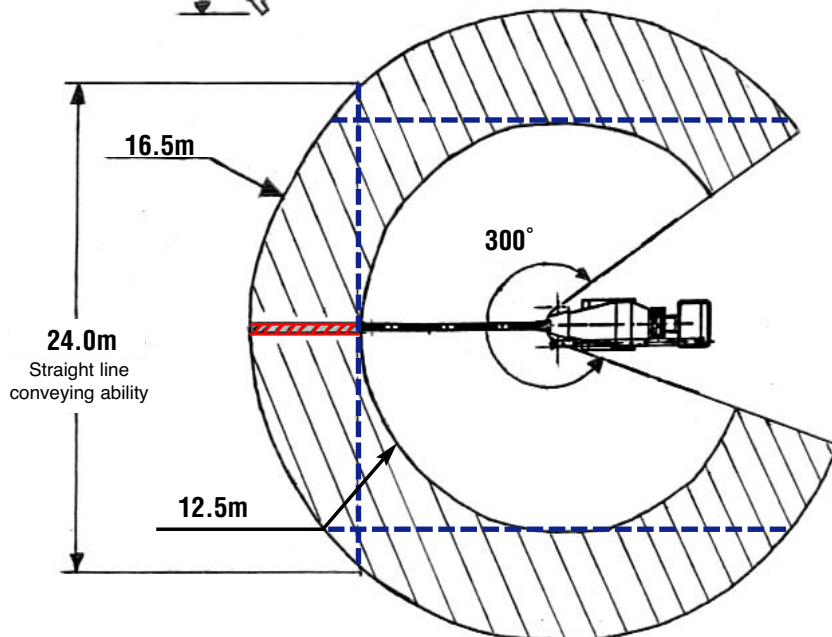
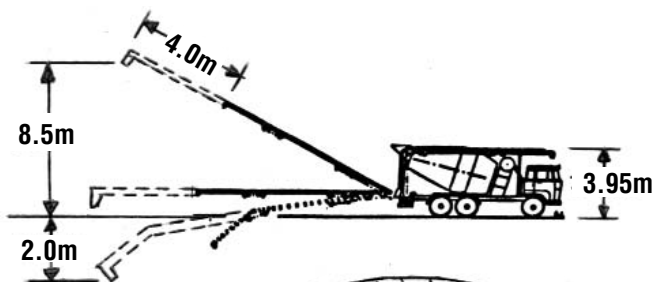


Value Tech. Mixveyor

TECHNICAL DATA

VTM 165

Total Outreach	16.5m
Telescopic Movement	4.0m
Max Discharge Height	8.5m
Max Conveying Depth	2.0m
Delivery Capacity	60m ³ /hr
Belt Width	400mm
Swivelling Range	300°
Total Weight	2050Kg.



OPTIONAL EXTRAS

- Hydro Power Wash System.
- Radio Remote Control System.
- Full Proportional Controls.

The Value Tech Mixveyor provides both concrete manufacturers and construction companies with the most cost effective method of accurate concrete placement of concrete in such applications as first floor pours, agricultural silage walls, low level foundations, house surrounds, machinery pits, and confined sites in high traffic areas, where expensive pumps might otherwise be required.

The Value Tech Mixveyor bears the unique combination of a design which has a proven track record in concrete placement, combined with the utilisation of innovative and modern technology in engineering equipment manufacture.

MANUFACTURED BY



Value Tech Ltd.
Dromalour Ind. Park.
Kanturk, Co. Cork.
Ireland.

Tel: 00353 29 51000 Fax: 00353 29 51510
Email: info@valuetech.ie www.valuetech.ie